

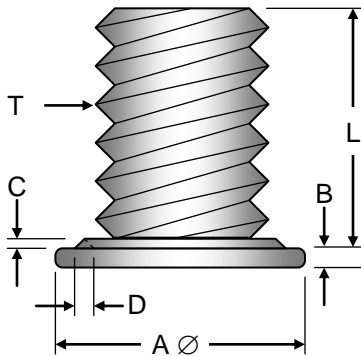
Cutlass Fasteners, Inc.

83 Vermont Ave., Unit 6, Warwick, RI 02888
 Tel: (401) 732-6333 Fax: (401) 732-6336
 cutlass-studwelding.com

Stud Welding...

- Fasteners
- Equipment
- Service

METRIC RESISTANCE WELD SCREWS (Ring Weld)



T (Thread)	A Ø	B	C	D
M3	8.0	1.2	0.30	0.64
M4	9.3	1.3	0.38	0.79
M5	11.6	1.6	0.43	0.89
M6	14.0	1.9	0.61	1.22
M8	18.8	2.5	0.76	1.53
M10	23.0	3.1	0.86	1.73

Thread Size	Material	Part No. Prefix	L (Length ± 0.4mm)									
			10	12	16	20	25	30	35	40	45	50
M3	Mild Steel	8231-	0310	0312	0316	0320	0325	0330				
	Stainless	8232-	0310	0312	0316	0320	0325	0330				
M4	Mild Steel	8231-	0410	0412	0416	0420	0425	0430				
	Stainless	8232-	0410	0412	0416	0420	0425	0430				
M5	Mild Steel	8231-	0510	0512	0516	0520	0525	0530	0535	0540	0545	0550
	Stainless	8232-	0510	0512	0516	0520	0525	0530	0535	0540	0545	0550
M6	Mild Steel	8231-		0612	0616	0620	0625	0630	0635	0640	0645	0650
	Stainless	8232-		0612	0616	0620	0625	0630	0635	0640	0645	0650
M8	Mild Steel	8231-			0816	0820	0825	0830	0835	0840	0845	0850
	Stainless	8232-			0816	0820	0825	0830	0835	0840	0845	0850
M10	Mild Steel	8231-				1020	1025	1030	1035	1040	1045	1050
	Stainless	8232-				1020	1025	1030	1035	1040	1045	1050

Part number example....M8 X 30 MS RW WELD SCREW....8231- 0830

Non-Stocked sizes and non-standard diameters and/or lengths are available by special order....minimum order quantities may apply.