

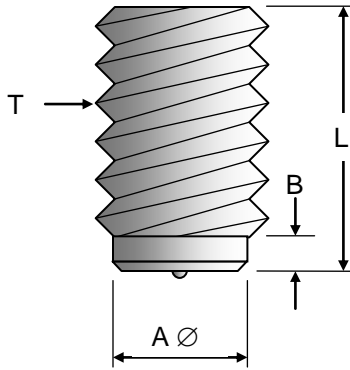
Cutlass Fasteners, Inc.

83 Vermont Ave., Unit 6, Warwick, RI 02888
 Tel: (401) 732-6333 Fax: (401) 732-6336
 cutlass-studwelding.com

Stud Welding...

- Fasteners
- Equipment
- Service

METRIC ARC FT WELD STUDS



T (Thread)	A Ø	B	Std. Ferrule	Low Ferrule
M5	4.57mm	3-5mm	FB-06	-----
M6	5.43mm	3-5mm	FB-08	LP-08
M8	7.25mm	3-5mm	FB-10	LP-10
M10	9.01mm	3-5mm	FB-M10	LP-M10
M12	10.93mm	3-5mm	FB-M12	LP-M12
M16	14.8mm	5-6mm	FB-20	LP-20

Thread Size	Material	Part No. Prefix	L (Length ± 0.3mm)													
			20	25	30	35	40	45	50	55	60	70	75	80	90	100
M5	Mild Steel	3031-	0520	0525	0530	0535	0540	0545	0550							
	Stainless	3032-														
M6	Mild Steel	3031-	0620	0625	0630	0635	0640	0645	0650	0655	0660	0670				
	Stainless	3032-														
M8	Mild Steel	3031-	0820	0825	0830	0835	0840	0845	0850	0855	0860	0870	0875	0880	0890	
	Stainless	3032-														
M10	Mild Steel	3031-	1020	1025	1030	1030	1040	1045	1050	1055	1060	1070	1075	1080	1090	
	Stainless	3032-														
M12	Mild Steel	3031-	1220	1225	1230	1230	1240	1245	1250	1255	1260	1270	1275	1280	1290	12100
	Stainless	3032-														
M16	Mild Steel	3031-		1625	1630	1630	1640	1645	1650	1655	1660	1670	1675	1680	1690	16100
	Stainless	3032-														

Part number example....M8 X 25(AW) SS FT ARC STUD....3032- 0825

All Metric Arc stud descriptions and part numbers refer to the after weld length. Studs will be approximately 3mm longer before weld for studs up to 12mm diameter and approximately 5mm longer for studs 16mm diameter and larger.

Non-Stocked sizes and non-standard diameters and/or lengths are available by special order....minimum order quantities may apply.