

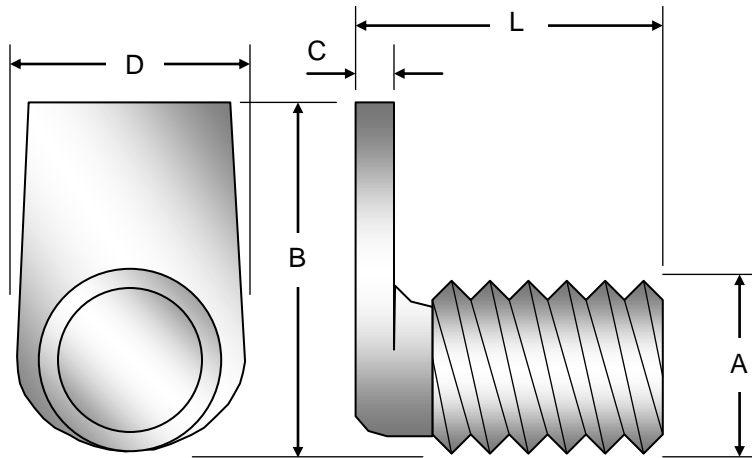
Cutlass Fasteners, Inc.

83 Vermont Ave., Unit 6, Warwick, RI 02888
 Tel: (401) 732-6333 Fax: (401) 732-6336
 cutlass-studwelding.com

Stud Welding...

- Fasteners
- Equipment
- Service

METRIC "L" WELD SCREWS



A (Thread)	B	C	D
M3	14	1.3	5.5
M4	15	1.5	6.2
M5	17	1.9	7.9
M6	19	2.4	8.9
M8	22	3.3	11.8
M10	26	4.3	14.3

Thread Size	Material	Part No. Prefix	L (Length +0/-0.8 to 25mm, +0/-1.6 from 25-60mm)									
			10	12	14	16	20	25	30	40	50	60
M3 0.6	Mild Steel	2931-	0310	0312	0314	0316	0320	0325	0330			
	Stainless	2932-	0310	0312	0314	0316	0320	0325	0330			
M4 0.7	Mild Steel	2931-	0410	0412	0414	0416	0420	0425	0430	0440		
	Stainless	2932-	0410	0412	0414	0416	0420	0425	0430	0440		
M5 0.8	Mild Steel	2931-	0510	0512	0514	0516	0520	0525	0530	0540	0550	
	Stainless	2932-	0510	0512	0514	0516	0520	0525	0530	0540	0550	
M6 1.0	Mild Steel	2931-		0612	0614	0616	0620	0625	0630	0640	0650	0660
	Stainless	2932-		0612	0614	0616	0620	0625	0630	0640	0650	0660
M8 1.25	Mild Steel	2931-			0814	0816	0820	0825	0830	0840	0850	0860
	Stainless	2932-			0814	0816	0820	0825	0830	0840	0850	0860
M10 1.5	Mild Steel	2931-				1016	1020	1025	1030	1040	1050	1060
	Stainless	2932-				1016	1020	1025	1030	1040	1050	1060

Part number example...M6 X 40 MS L WELD SCREW...2931- 0640

Non-standard diameters and/or lengths are available by special order....minimum order quantities may apply.