

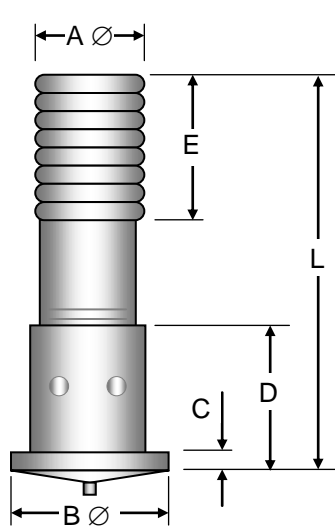
# Cutlass Fasteners, Inc.

83 Vermont Ave., Unit 6, Warwick, RI 02888  
 Tel: (401) 732-6333 Fax: (401) 732-6336  
 cutlass-studwelding.com

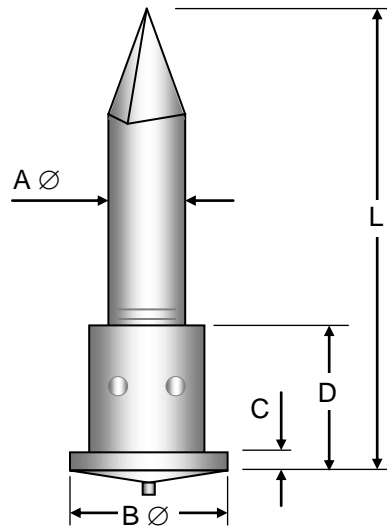
## Stud Welding...

- Fasteners
- Equipment
- Service

## CD FLANGED BI-METALLIC PINS



ANNULAR GROOVE



10GA. NAIL

<b>B</b> Ø	5/16"
<b>C</b>	0.050"
<b>D</b>	1/2"
<b>E</b>	5/8" (min.)

A Ø	Material	Part No. Prefix	L (Length ± 0.015")				
			7/8	1.0	1.7/8	2.7/8	3.7/8
ANNULAR GROOVE 0.175-0.180"	PIN Stainless BASE Aluminum	2382-	0628	0632	0660	0692	06124

A Ø	Material	Part No. Prefix	L (Length ± 0.015")								
			1.1/2	2.0	2.1/2	3.0	3.1/2	4.0	4.1/2	5.0	6.0
10GA. NAIL 0.135"	PIN Stainless BASE Aluminum	2372-	1048	1064	1080	1096	10112	10128	10144	10160	10192



- Stock sizes

Part Number example....10GA. X 3.0" BIMETALLIC PIN....2372-1096

Non-Stocked sizes and non-standard lengths may be available by special order....minimum order quantities may apply.