

# Cutlass Fasteners, Inc.

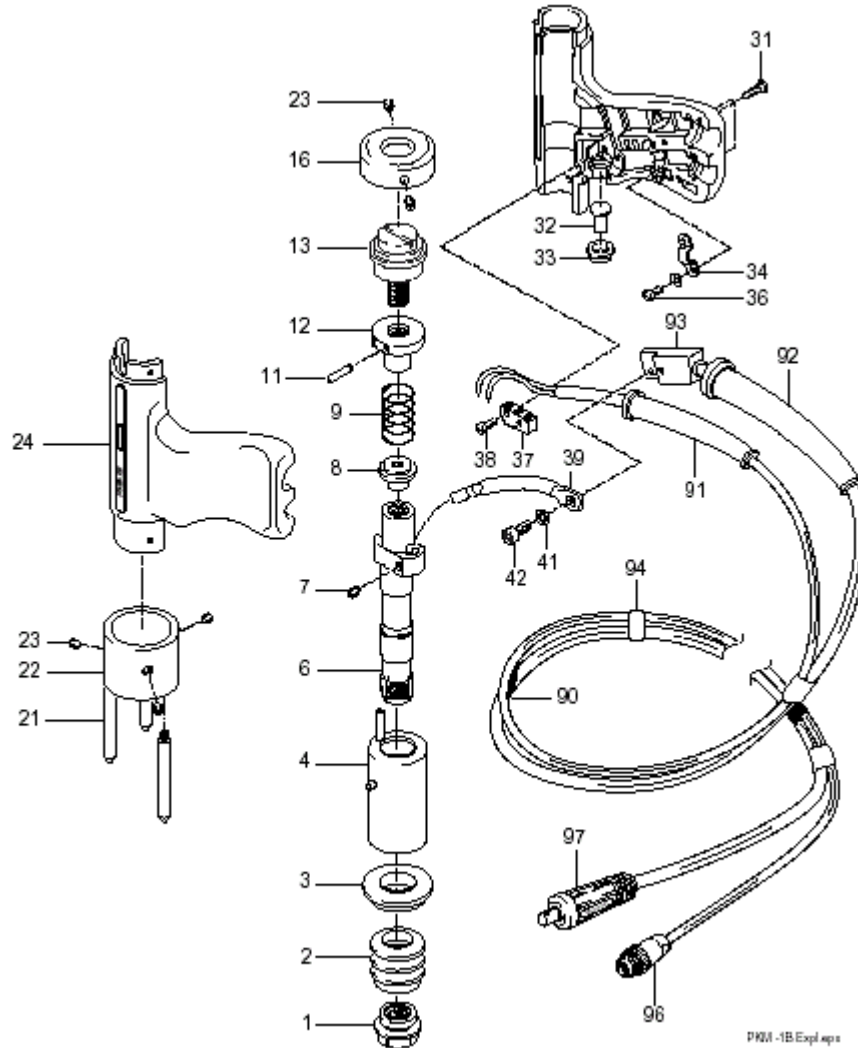
83 Vermont Ave., Unit 6, Warwick, RI 02888  
 Tel: (401) 732-6333 Fax: (401) 732-6336  
 cutlass-studwelding.com

## Stud Welding...

- Fasteners
- Equipment
- Service

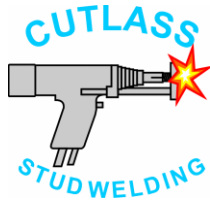
## PKM-1B CD WELD GUN PARTS LIST

### PKM-1B GUN PARTS



### ALTERNATE PARTS...

ITEM	PART NO.	DESCRIPTION	QTY
1A	80-40-1741	B COLLET ADAPTOR	1
22A	80-40-1739	SINGLE LEG FACEPLATE (fitted as standard)	1
22B	80-40-1113	TWIN LEG FACEPLATE	1
96	999-136	CONTROL PLUG (Signus Only)	1
97A	000-573	WELD PLUG (Pinto Only)	1
97B	650-669	WELD PLUG (Signus Only)	1



# Cutlass Fasteners, Inc.

83 Vermont Ave., Unit 6, Warwick, RI 02888

Tel: (401) 732-6333 Fax: (401) 732-6336

cutlass-studwelding.com

## Stud Welding...

- Fasteners
- Equipment
- Service

## PKM-1B CD WELD GUN PARTS LIST

### PKM-1B GUN PARTS

ITEM	PART NO.	DESCRIPTION	QTY
	PKM-1B	COMPLETE CLIPPER PKM-1B	1
1	80-40-1738	TAPER CHUCK ADAPTOR	1
2	80-40-1097	BELLOWS	1
3	80-40-1023	INSULATING BUSH	1
4	80-40-1020	GUIDE BUSH	1
6	80-40-1740	SPINDLE	1
7	80-15-1011	M5 X 8 SOC. HD. SCREW	1
8	80-40-1027	SPRING PLATE	1
9	80-40-1031	MAIN SPRING	1
11	80-15-1022	M3 X 12 SOC. HD. SCREW	1
12	80-40-1015	ADJUSTING NUT	1
13	80-40-1603	SPRING ADJUSTING SCREW	1
16	80-40-1028	BACK CAP	1
21	80-40-1012	TRIPOD LEG	3
22	80-40-1013	TRIPOD FACEPLATE	1
23	80-15-1010	M5 X 4 SOC. HD. SCREW	1
24	80-40-1602	GUN BODY (TOP & BOTTOM)	1
31	80-10-1013	HANDLE SCREW	3
32	80-40-1016	TRIGGER BUTTON	1
33	80-40-1017	TRIGGER SLEEVE	1
34	80-10-1015	CABLE CLIP	1
36	80-15-1061	M2.5 X 8 SCREW	2
37	80-50-1013	TRIGGER SWITCH	1
38	80-15-1015	M2.0 X 10	2
39	80-72-1012	INTERNAL WELD CABLE	1
41	80-15-1016	M4 LOCK WASHER	1
42	80-15-1012	M4 X 8 SOC. HD. CAP SCREW 1	1
90	80-72-1039	WELD/CONTROL CABLE (16FT.)	1
91	80-10-1011	CONTROL CABLE SLEEVE	1
92	80-10-1013	WELD CABLE SLEEVE	1
93	80-35-1134	CABLE CONNECTING BLOCK	1
94	600-627	CABLE SLEEVE	1
96	000-594P	CONTROL PLUG C/M	1
97	000-568	WELD PLUG C/M	1