

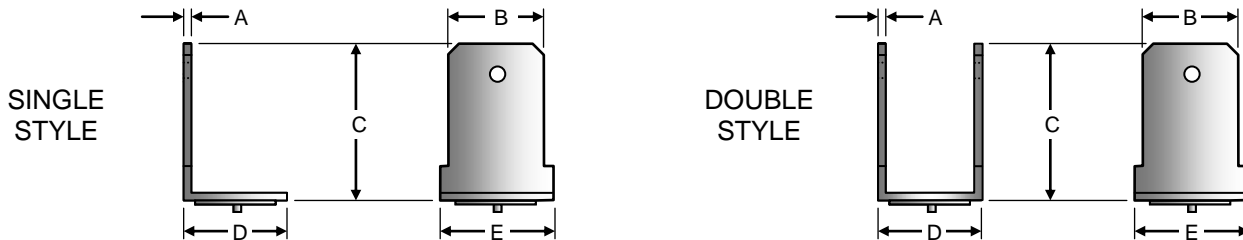
Cutlass Fasteners, Inc.

83 Vermont Ave., Unit 6, Warwick, RI 02888
 Tel: (401) 732-6333 Fax: (401) 732-6336
 cutlass-studwelding.com

Stud Welding...

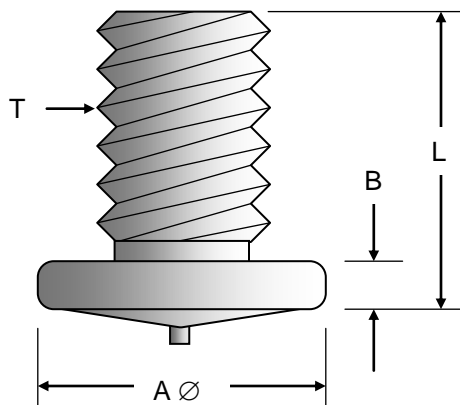
- Fasteners
- Equipment
- Service

CD GROUND STUDS



STYLE	MATERIAL	PART NUMBER	A	B	C	D	E
SINGLE	MILD STEEL (copper plate)	2931-0001	0.032" (0.8mm)	0.250" (6.35mm)	0.460" (11.8mm)	0.375" (9.5mm)	0.320" (8.2mm)
	STAINLESS STEEL	2932-0001					
	ALUMINUM ALLOY	2933-0002					
DOUBLE	MILD STEEL (copper plate)	2931-0004				0.438" (11.1mm)	
	STAINLESS STEEL	2932-0004					
	ALUMINUM ALLOY	2933-0004					

Stock Size



MATERIAL	PART NUMBER	T	L	A Ø	B
MILD STEEL (copper plate)	2901-0011	1/4-20 UNC	0.59"	0.50" (12.7mm)	0.125" (3.0mm)
STAINLESS STEEL	2902-7167				
MILD STEEL (copper plate)	2931-0009	M6	16.0mm		
STAINLESS STEEL	2932-7166				
MILD STEEL (copper plate)	2931-0010	M8			

Stock Size